



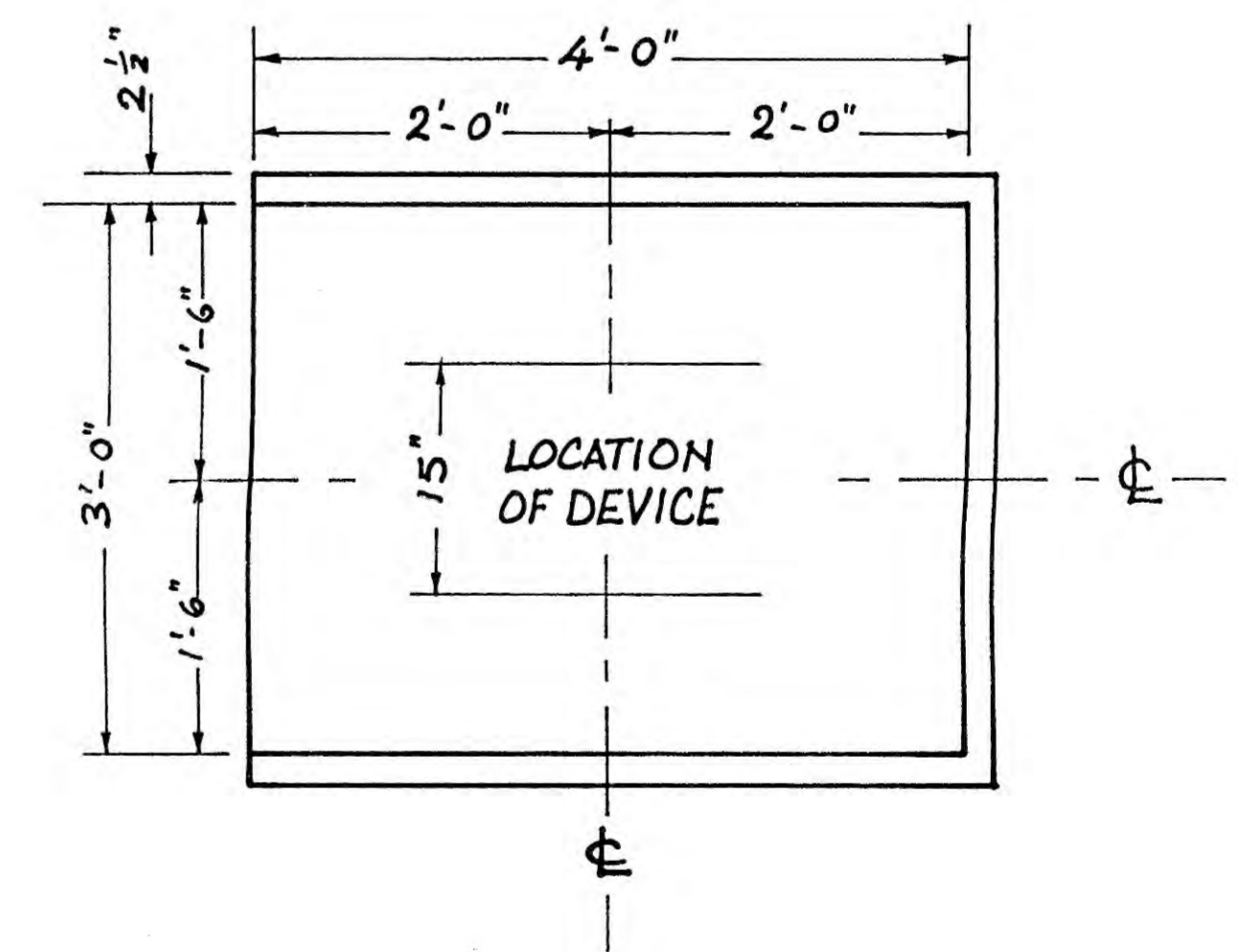
REVISIONS				
ZONE	LTR	DESCRIPTION	DATE	APPROVED

- NOTES:
1. FLAG TO BE MANUFACTURED IN ACCORDANCE WITH LATEST REVISION OF SPECIFICATION MIL-F-2692.
 2. DEVICE SHALL APPEAR AS ILLUSTRATED ON BOTH SIDES OF THE FLAG AND WILL APPEAR AS ILLUSTRATED ON BOTH SIDES.
 3. DEVICE SHALL BE APPLIQUED AND EMBROIDERED, AND APPLIED TO THE FLAG BASE WITH WHITE EMBROIDERY (WHITE, CABLE NO. 67101).
 4. DIMENSIONS ARE EXCLUSIVE OF HEADING AND HEMS.
 5. FOR HEADING SEE T.I.O.H. DWG. NO. 5-1-45E.

MATERIALS:
 FLAG BASE AND DEVICE ——— RAYON BANNER CLOTH
 FRINGE ——— RAYON, 2 1/2 INCHES WIDTH
 DEVICE ——— RAYON APPLIQUE AND EMBROIDERY

COLORS AND CABLE NUMBERS OF COLORS

FLAG AND DEVICE ELEMENTS	COLOR	CLOTH	YARN
FLAG BASE	NATIONAL FLAG BLUE	80077	
FRINGE	YELLOW		67108
DEVICE			
BACKGROUND	ORIENTAL BLUE	80176	
BORDERS	WHITE		67101
DESIGNATION BAND	OLIVE DRAB	66021	
BORDER	WHITE		67101
LETTERING	WHITE		67101
PARACHUTE	WHITE	80002	
CORDS	WHITE		67101
SHADING ON PARACHUTE	SILVER GRAY		67137
DAGGER	BLACK		67138
DAGGER DETAIL	SILVER GRAY		67137
LIGHTNING FLASHES	SCARLET		67111
LIGHTNING OUTLINE	WHITE		67101
TRIDENT	YELLOW		67108
TRIDENT SHADING	ORANGE		67110
WINGS	WHITE		67101



SUPERSEDES DWG NO. 5-1-692 DATED 15 SEPTEMBER 1987

UNLESS OTHERWISE SPECIFIED DIMENSIONS ARE IN INCHES TOLERANCES ON FRACTIONS DECIMALS ANGLES	THE INSTITUTE OF HERALDRY, U.S. ARMY 9325 GUNSTON RD S-112 FORT BELVIER, VA 22060-5579	
	DEVICE FOR FLAG SPECIAL OPERATIONS COMMAND SOUTH	
	APPROVED <i>G.T. Luchino</i> GERALD T. LUCHINO DIRECTOR	SIZE D CODE IDENT. NO. 22571
	SCALE 1/1 DATE 20 MARCH 1995	