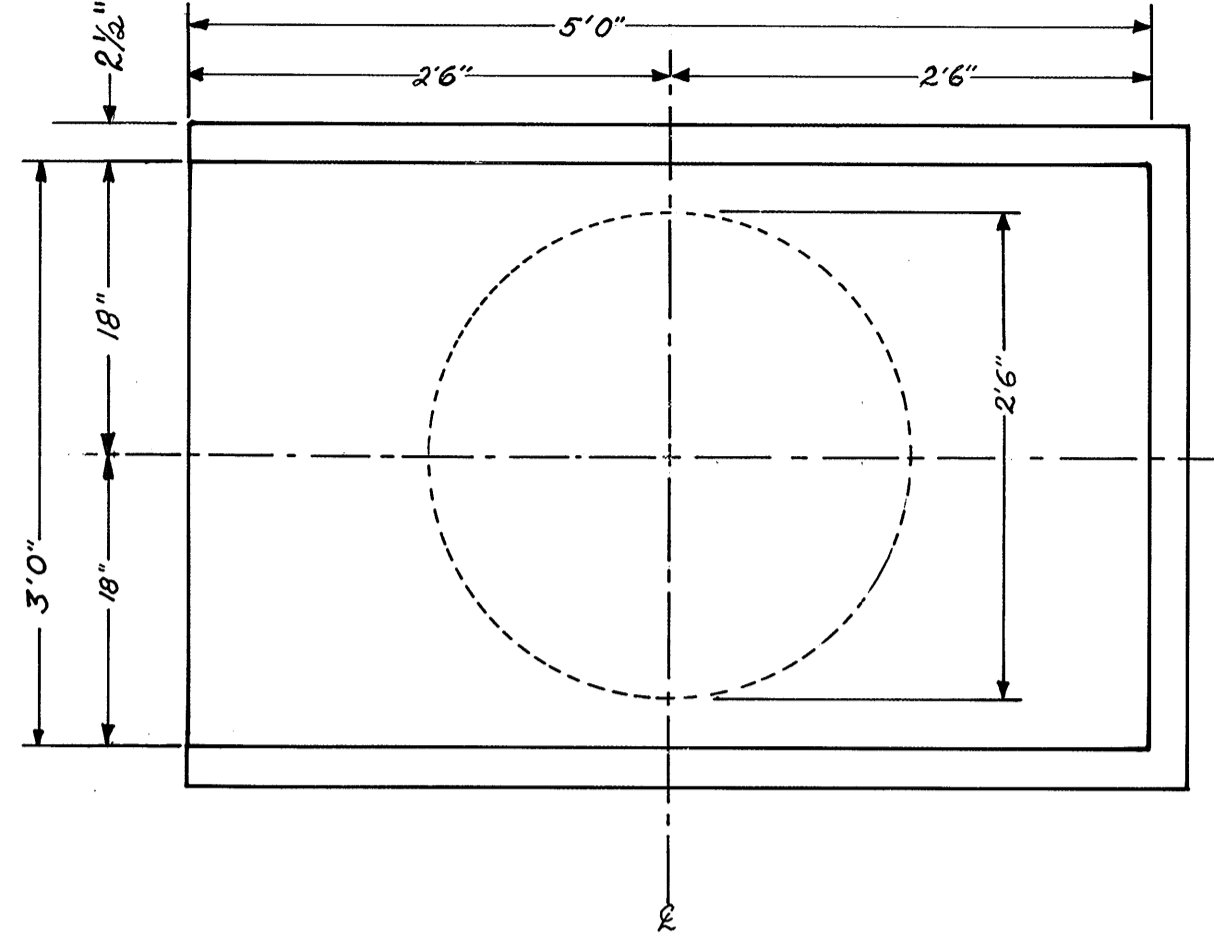


REVISIONS			
ZONE	LTR	DESCRIPTION	DATE APPROVED



- NOTES**
1. TO BE MANUFACTURED IN ACCORDANCE WITH LATEST REVISION OF SPECIFICATION MIL-F-2692.
 2. DEVICE SHALL APPEAR AS ILLUSTRATED ON BOTH SIDES OF THE FLAG.
 3. TYPE "A" FLAG TO BE MANUFACTURED UTILIZING A RAYON FLAG BASE WITH THE DEVICE TO BE APPLIQUE AND MACHINE EMBROIDERY.
 4. TYPE "B" FLAG TO BE MANUFACTURED UTILIZING A NYLON FLAG BASE WITH THE DEVICE SCREEN PRINTED AND APPLIED.
 5. HEADING SHALL BE TYPE II IN ACCORDANCE WITH TIOH DRAWING 5-1-45 E.
 6. DEVICE TO BE APPLIED TO FLAG BASE UTILIZING YELLOW EMBROIDERY (AIR FORCE YELLOW HC CABLE N° 67103)

- MATERIAL**
- TYPE "A"
 FLAG BASE ----- RAYON BANNER CLOTH
 DEVICE ----- RAYON APPLIQUE AND MACHINE EMBROIDERY
 FRINGE ----- RAYON 2 1/2" WIDTH
- TYPE "B"
 FLAG BASE ----- HEAVY WEIGHT NYLON
 DEVICE ----- SCREEN PRINTED ON LIGHT WEIGHT NYLON
 FRINGE ----- RAYON 2 1/2" WIDTH

COLOR AND CABLE NUMBERS OF COLORS

	CLOTH	YARN
FLAG BASE ----- SILVER GRAY -----	65008	
FRINGE ----- AIR FORCE YELLOW HC -----		67103

- DEVICE**
- INNER DISC ----- ULTRAMARINE BLUE ----- 65010
 BORDER ----- SCARLET HL ----- 67111
 LETTERS, SMALL STARS
 AND DOTS ON INNER DISC - WHITE - HA ----- 67101
 LARGE STAR ----- WHITE ----- 80001
 EAGLE
 BODY, LEGS, EYE
 AND BEAK ----- AIR FORCE YELLOW HC ----- 67103
 OUTLINED & DETAILED -- ULTRAMARINE BLUE HS ----- 67118
 HEAD AND TAIL FEATHERS - WHITE HA ----- 67101
 OUTLINED & DETAILED - ULTRAMARINE BLUE HS ----- 67118
 OLIVE BRANCH - WHITE HA ----- 67101
 OUTLINED & DETAILED - ULTRAMARINE BLUE HS ----- 67118
 ARROW SHAFTS ----- ULTRAMARINE BLUE HS ----- 67118
 ARROW HEAD & FEATHERS - AIR FORCE YELLOW HC ----- 67103
 OUTLINED ----- ULTRAMARINE BLUE HS ----- 67118
 SHIELD
 CHIEF ----- ULTRAMARINE BLUE HS ----- 67118
 NUMERALS ----- WHITE HA ----- 67101
 STRIPES - ALTERNATING - WHITE HA ----- 67101
 AND ----- SCARLET HL ----- 67111
 OUTER RING ----- AIR FORCE YELLOW ----- 80063
 LETTERS & OUTLINE OF
 ROPE ----- ULTRAMARINE BLUE HS ----- 67118

COLOR GUIDE SKETCH REQUIRED



DEVICE 1/2 ACTUAL SIZE

UNLESS OTHERWISE SPECIFIED DIMENSIONS ARE IN INCHES TOLERANCES ON FRACTIONS DECIMALS ANGLES		THE INSTITUTE OF HERALDRY, U. S. ARMY CAMERON STATION, ALEXANDRIA, VA 22304-5050	
MATERIAL:		DISTINGUISHING FLAG DEPARTMENT OF JUSTICE THE UNITED STATES MARSHAL	
EXAMINED	APPROVED	SIZE	CODE IDENT. NO.
CHECKED		D	22571
PREPARED		5-1-671	
APPROVED		SCALE	DATE
Gerald F. Luchino GERALD F. LUCHINO, COLONEL, GS DIRECTOR			17 JANUARY 1986